

Data Sheet CB

Light Duty Corner Bracket

A range of multi-purpose brackets suitable for many DIY and professional fixing applications.

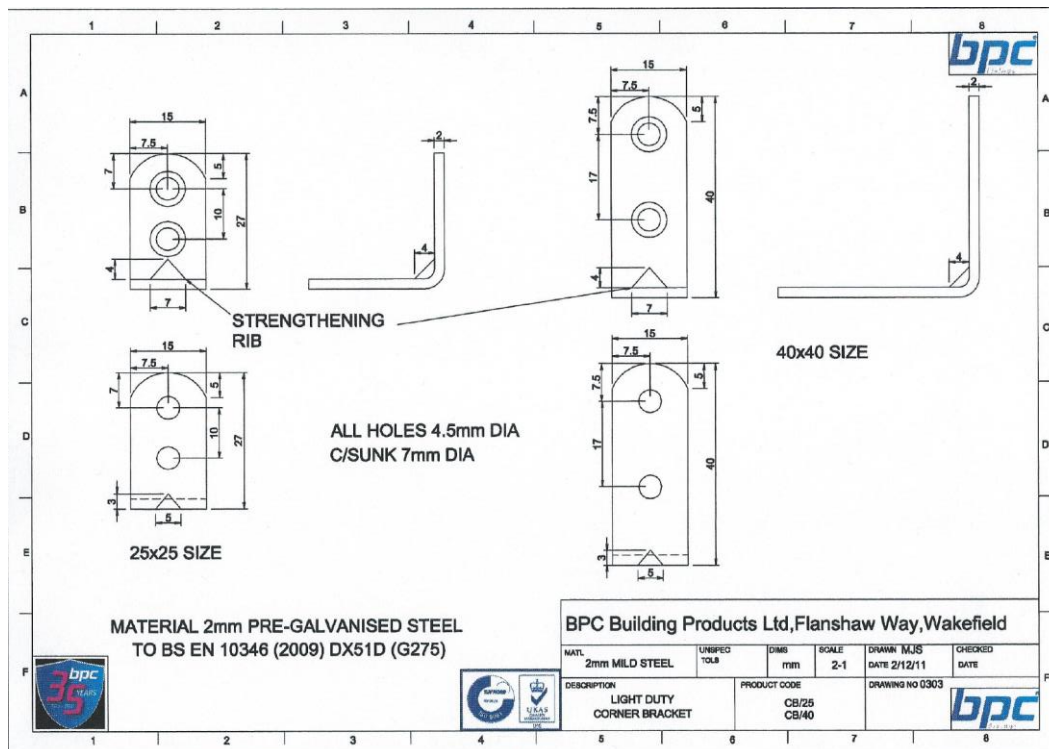
Manufactured from pre-galvanised mild steel.



Product Ref.	Size	Thickness	Polybag Qty.	Outer Box Qty.
CB25	25x25x15mm wide	2.0mm	10	250
CB40	40x40x15mm wide	2.0mm	10	250
CB50	50x50x15mm wide	2.0mm	10	250
CB65	65x65x15mm wide	2.0mm	10	250
CB75	75x75x15mm wide	2.0mm	10	250
CB100	100x100x18mm wide	2.5mm	10	250

Produced from galvanised steel to BS EN 10346:2009 + G275 as standard, or stainless steel grade 304 to BS EN 10088-2 Grade 1.4301, available to order.

CB25/CB40



CB50/CB75

