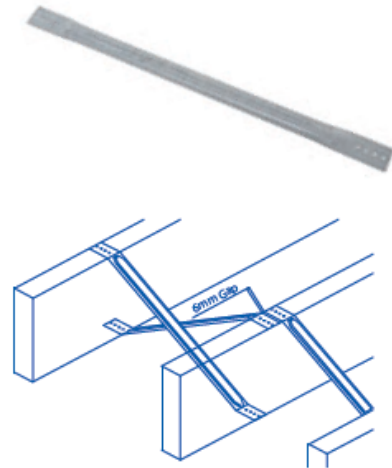


## Data Sheet HJS

### Herringbone Joist Strut

A superior alternative to timber strutting, Herringbone Struts offer a cost effective method of providing necessary lateral support to floor joists as required by the Building Regulations. Fix to the top and underside of joists using the pre-punched holes. Position

at the centre of the span where joists exceed 2.5m long, or in two rows spaced at one third and two thirds of overall span where joist exceeds 4.5metres. Manufactured from 0.9mm thick galvanised steel to suit joist centre spacing of 400, 450 and 600mm.



Product Reference	Size	Box Qty.
HJS/400	480mm	100
HJS/450	530mm	100
HJS/600	660mm	100

Produced from galvanised steel to BS EN 10346:2009 + G275 as standard, or stainless steel grade 304 to BS EN 10088-2 Grade 1.4301, available to order.

